

INTERFLEX

INTERNATIONAL

Factory Parts Catalog

Product No.	MUFD17V9GS0
Series	Twins
Color	stainless
Volts	230
Wiring Diagram	297005601
Owner's Guide	297038600
Market	International

INTERNATIONAL
3 Parkway Center, Pittsburgh, PA 15220

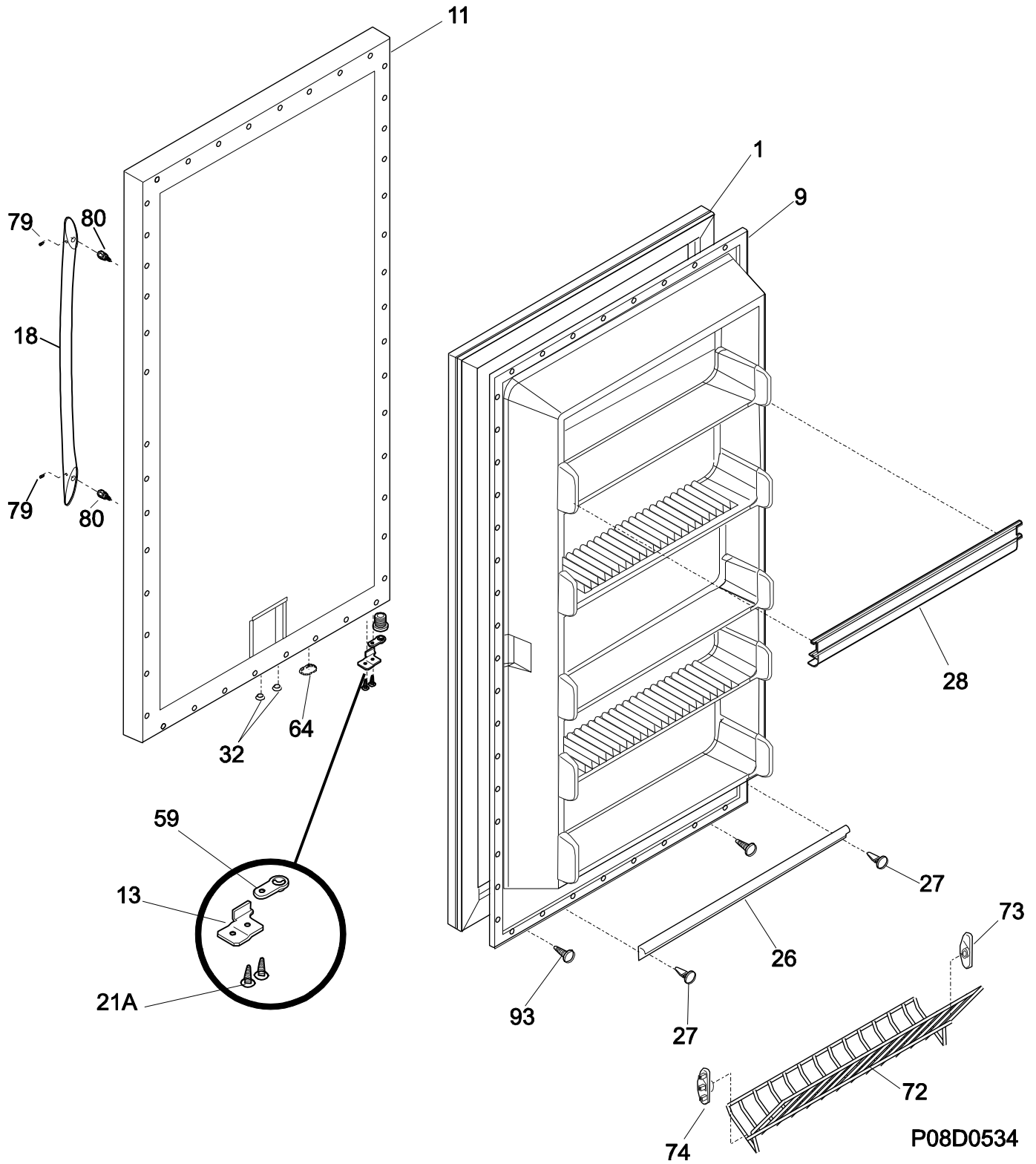
Publication No.
5995490744
07/05/15
(EN/SERVICE/MLR)
365

UPRIGHT FREEZER

Model No.
MUFD17V9GS

Copyright © 2007 Electrolux Home Products, Inc.
All rights reserved.

DOOR

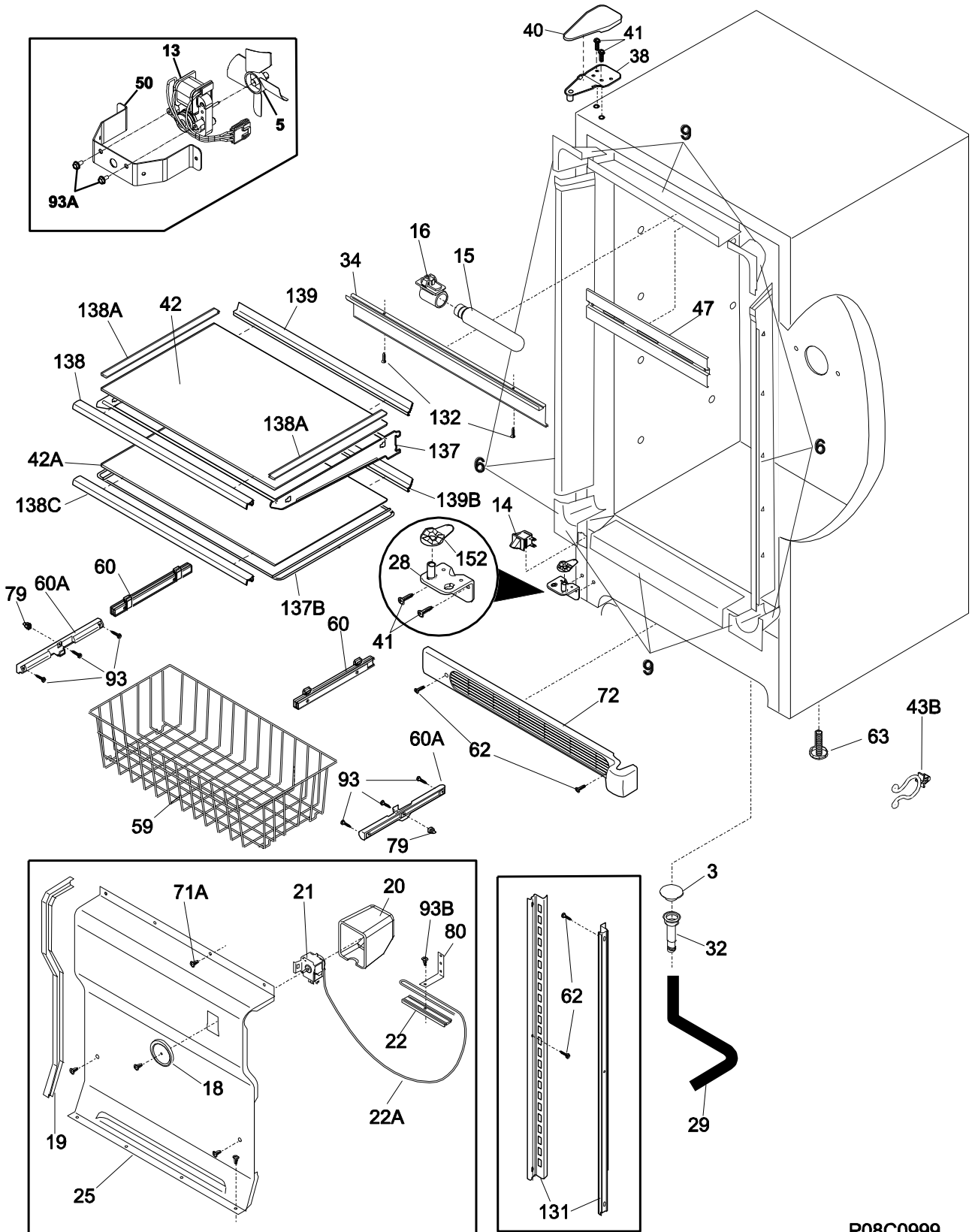


P08D0534

DOOR

POS. NO	PART NO.	DESCRIPTION
1	216522311	Gasket-door, black
9	216527813	Panel-inner door
11	216526576	Panel-outer door, stainless
13	216974400	Door Stop
18	240536818	Handle-door, stainless steel, with insert, & set screw
21A	5304460608	Screw, flat head, #1/4-20, door stop/hng
26	216524200	Gasket, secondary
27	5303212828	Clip, panel mtg
27*	5304406520	Clip, panel mtg kit, (40)
28	216806100	Rack-door, contour, (3)
32	5309950074	Valve, breather
59	216974500	Bearing, door closer
64	216403700	Plug-button, hole filler, door base
72	297118100	Shelf, tilt out, wire, (2)
73	216513900	End Cap, shelf, LH, (2), tilt-out
74	216514000	End Cap, shelf, RH, (2), tilt-out
79	218755402	Screw-set, 10-32 x 0.375
80	218755504	Screw-shoulder, #10 AB, handle mounting
93	5304460605	Screw, ph truss head, 8-18AB x 0.500

CABINET

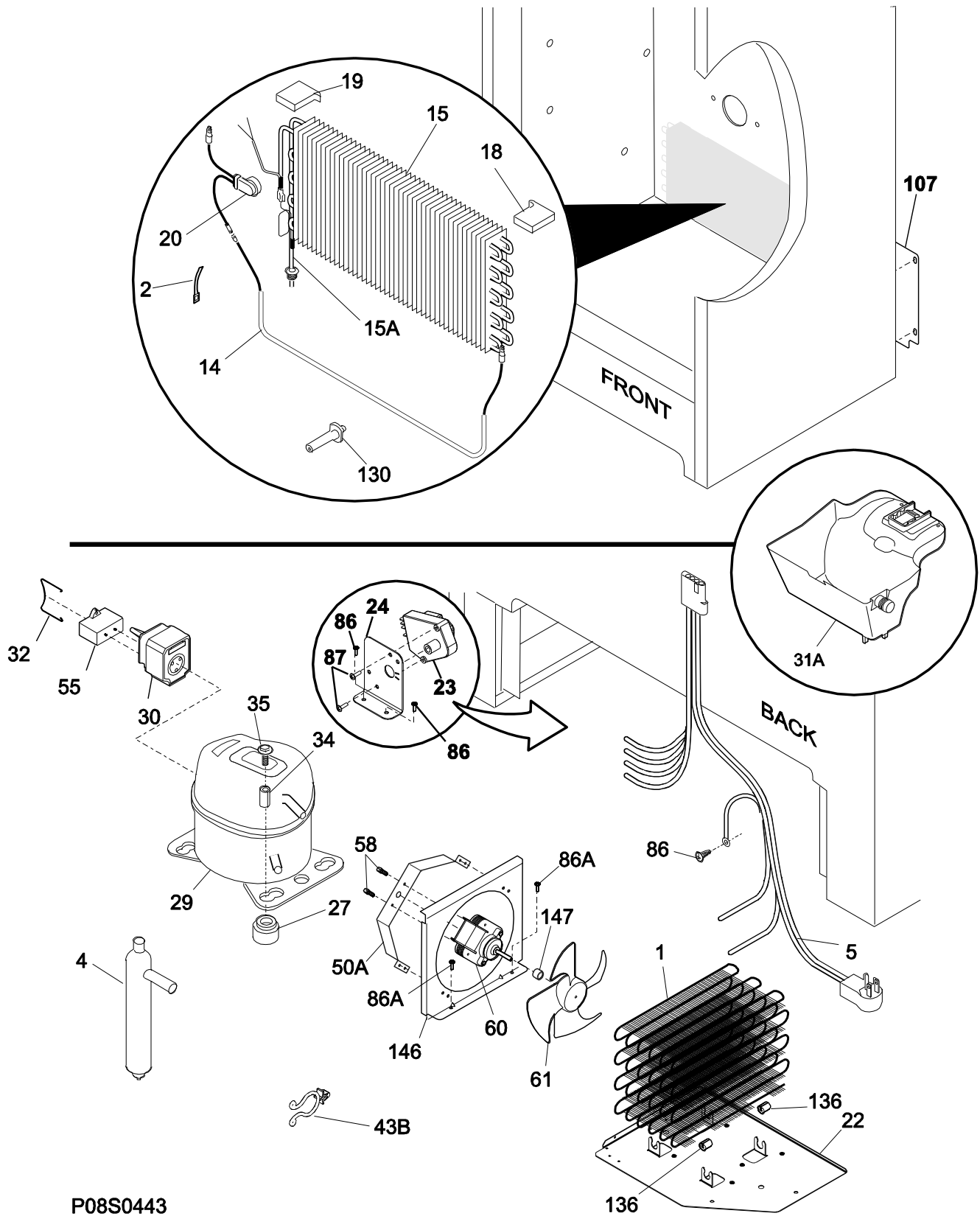


P08C0999

CABINET

POS. NO	PART NO.	DESCRIPTION
3	216503100	Screen-drain
5 #	216325600	Fan Blade
6	216604200	Breaker Kit w/corners
9	216603300	Breaker Kit w/corners, 32", top or bottom
13	216920500	Motor-fan, 230 V
14	216998100	Switch, light/lamp, black, ramp
15 #	216867800	Light Bulb/Lamp, 230-250V
16	216817600	Socket, light/lamp, 25 W
*	216876300	Collar, light socket
18	216707200	Knob, temp control
19	216204902	Gasket-evap cover
20	216967200	Cover, temp control
21 #	216715202	Control temperature
22	216823500	Clamp, cap tube, cold control
22A	5303916855	Tube, sensor sleeve, plastic, clear
25	297099250	Cover-evaporator
28	216978201	Hinge, bracket, lower, LH
29	216313501	Hose-drain
32	5308005500	Drain
34	216816200	Shield-light
*	297014000	Shield, light, plastic
38	216939100	Hinge-upper
40	216809001	Cover-upper hinge, black
41	216936801	Screw-hinge, 12-24x.700 HWH
42	216983101	Glass-shelf, full shelf
42A	297007700	Glass-shelf, sliding
43B	297048400	Clip
47	216661600	Plate, baffle, snap fit
50	216394050	Bracket, fan motor mount
59	297119000	Basket, (2)
60	216936700	Slide-basket, RH, (2)
60	216936701	Slide-basket, LH, (2)
60A	297013500	Slide, shelf, (2)
62	5304460602	Screw, cr truss head, 8-18AB x 0.750
63	216396900	Screw, leveling foot, plastic, adjustable
71A	297146800	Screw, 8-18AB x 0.470, EVAP PANEL
72	297036901	Grille/Kickplate, 32", black
79	3017666	Nut-insert
80	06594601	Bracket, control
93	5304460605	Screw, ph truss head, 8-18AB x 0.500
93A	216912401	Screw, hex washer head, 8-32 x 0.500, bracket fan mtr, (2)
93B	5304460604	Screw, type A, 10-24 x 3/8
131	241513001	Channel-shelf mtg, side, (2)
132	5304460601	Screw, 6-20AB x 3/8
137	297050600	Frame-shelf, cantilever
137B	297007600	Frame-shelf, sliding
138	297050700	Trim-shelf, front
138A	216983601	Trim-shelf, side
138C	297007800	Trim-shelf, front
139	297050800	Trim-shelf, rear
139B	297007900	Trim-shelf, rear
152	216974600	Bearing, hinge closer
*	297001704	Insulation, 24", drain tube

SYSTEM



P08S0443

SYSTEM

POS. NO	PART NO.	DESCRIPTION
1 #	5300083897	Condenser
2	5308000110	Strap-evap/heater, aluminum, (2)
4 #	216938600	Drier-filter
5	297075200	Harness-main
14 #	216730701	Heater-defrost
15 #	216997300	Evaporator
15A	216783200	Heat Exchanger, suct/cap tube
18	297078700	Insulator-evap, styrofoam
19	297078800	Insulator-evap, styrofoam
20	216731000	Thermostat, defrost
22	216970301	Base, condenser
23 #	216855300	Timer-defrost
24	216968501	Bracket-timer
27	5308002681	Grommet, compressor
29	297002800	Compressor, kit, w/grommets, & welded clip
30	216954207	Controller, compressor
31A	216994100	Pan-drain
32	216649100	Clamp, elec cont mtg, compressor
34	5306594529	Sleeve-compressor
35	5304460607	Screw, Ind hex sems, 1/4-28 unfx, compressor
43B	297048400	Clip
50A	240524002	Bracket-cond motor assy
55 #	218909908	Capacitor, run
58	218897004	Screw, hex washer head, 8-32 x 0.375
60 #	240525405	Motor-condenser fan
61 #	240524101	Fan Blade, galv steel, condenser fan
86	216036601	Screw, RWHD, 8-32A x 0.500, GX-CA
86A	216337701	Screw, HWH, 10-24 x 0.500, Swage
87	5304460603	Screw, 32, TH#6-32x1/2
107	297124551	Cover-access
130	216486800	Support, evaporator mtg
136	240405201	Grommet, rubber, black, cond tube/wire
146	216970201	Shroud-fan orifice
147	240560001	Ring-compression
*	216502500	Sleeve, suction line
*	297014500	Plug-suction line
*	297102800	Spacer-tube